

(1) SMR Code	(2) Federal Stock Number	(3) Description	(4) Unit of Meas.	(5) Qty	(6) 15-day Maintenance In	(7) Organizational alw Unit	(a) Figure No.	(b) Item No.
<p>Reference number &amp; mfg. code Usable on code 1-5 6-20 21-50 51-100</p> <p>GROUP 09-PROPELLER AND PROPELLER SHAFTS</p> <p>0900-PROPELLER SHAFTS</p>								
PAOFF	2520-901-9681	PROPELLER SHAFT WITH UNIVERSAL JOINT ASSEMBLY:TRANSMISSION TO TRANSFER,OPTIONAL WITH SHAFT, FSN 2520-040-2339 10885788 (19207)	A	EA	1	* * * *	94	1
PAOFF	2520-040-2339	PROPELLER SHAFT WITH UNIVERSAL JOINT ASSEMBLY:TRANSMISSION TO TRANSFER,OPTIONAL WITH SHAFT, FSN 2520-901-6981 8332244 (19207)	A	EA	1	* * * *	94	1
PAOZZ	2520-734-8841	FLANGE,PROPELLER SHAFT:TRANSMISSION TO TRANSFER SHAFT 7348841 (19207)		EA	2	* * * *	94	2
PAOZZ	2520-734-7665	UNIVERSAL JOINT:USED WITH SHAFT FSN 2520-040-2339 7347665 (19207) CONSISTING OF: 4-BEARING 5-6-78 X (78080) 1-JOURNAL,ASSEMBLY 5-5-138 X (78080) 4-PLATE,LOCK 98-741 (78080) 8-BOLT 5-73-109 (78080) 4-CAP,HEARING 5-70-49 (78080)		EA	2	* * * *	94	3
PAOZZ	2520-912-3668	UNIVERSAL JOINT: USED WITH SHAFT FSN 2520-901-9681 8712082 (19207) CONSISTING OF: 2-PLATE 5301357 (19207) 4-GASKET 7348876 (19207) 2-WELD WIRE 7422J (76260) 2-FITTING MS15001-1 (96906) 1-FITTING MS15003-1 (96906) 1-PLUG MS49005-2 (96906) 4-SCREW 7412316 (19207) 4-BOLT 5291734 (19207) 4-WASHER MS35338-47 (96906) 1-JOURNAL 112-7100 (76260) 4-BEARING 113-7200 (76260) 4-SHIELD 5291580 (19207)		EA	2	* * * *	94	3
PAOZZ	4730-050-4208	FITTING,LUBRICATION:1/8-NPT MALE SHORT,JOURNAL MS15003-1 (96906)		EA	2	* * * *	94	4
PAOZZ	4730-421-9087	PLUG,PIPE: 1/8-INCH,SLIP YOKE MS49005-2 (96906)		EA	1	* * * *	94	5

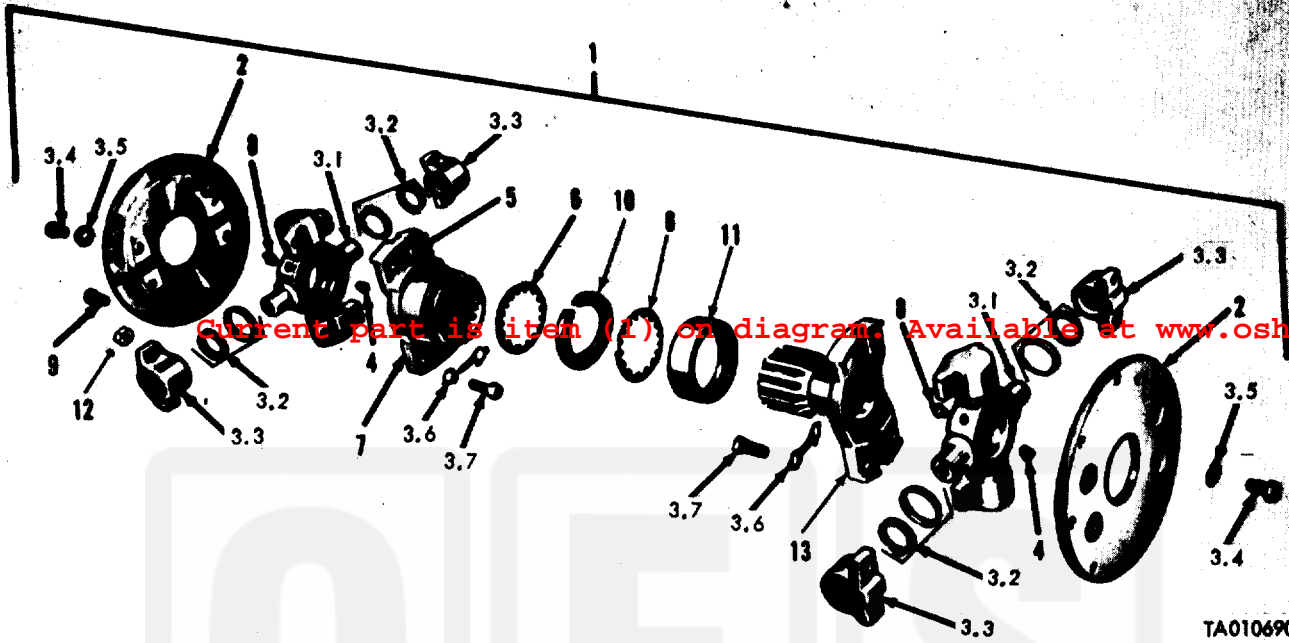


Figure 94. Propeller shaft transmission to transfer.

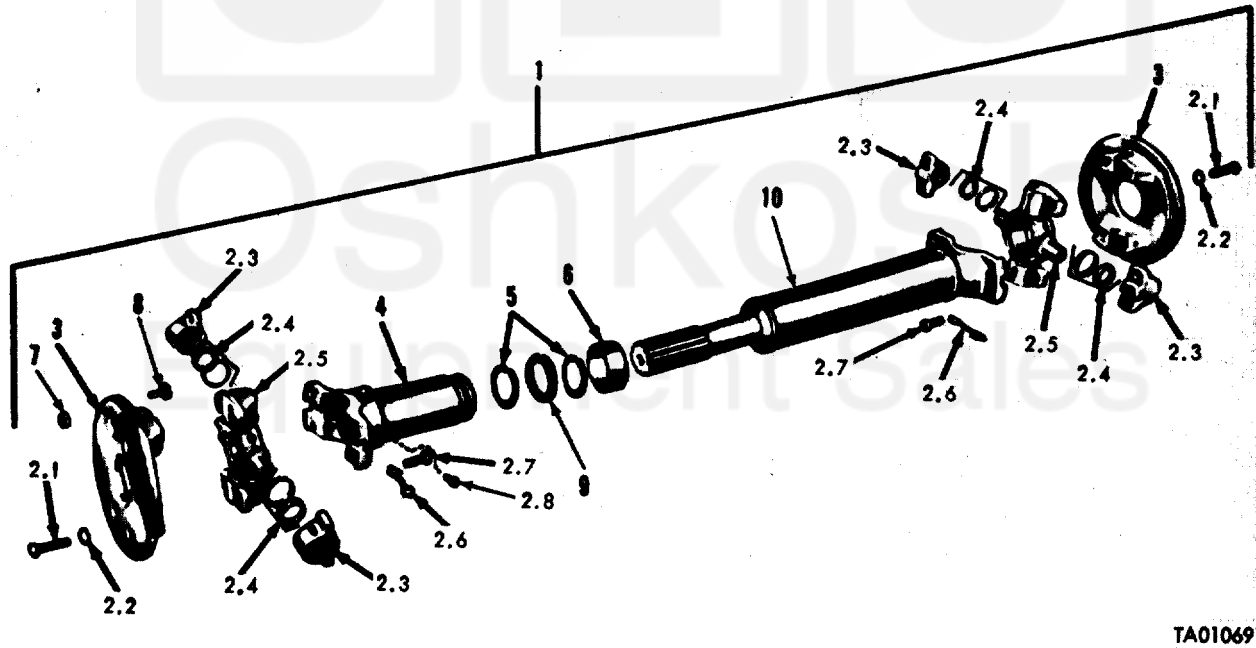


Figure 95. Propeller shaft assembly, transfer to front axle.